

❑ Modelling of HRSGs Cracks in

**422MW CCGT Power Plant
Dublin Bay, Ireland**



Client	Synergen
Dates	1999 – 2003
Project Type	Engineering (Civil and Structural); Operations (O&M)

Description

The project, located in Dublin Bay, is built on the site of the old Ringsend oil fired generating station. The station consists of one Alston KA26-1 advanced single shaft combined cycle gas turbine with sequential lean-premix dry low NOx combustion system and dual fuel capability. The design incorporated maximum availability and thermal efficiency coupled with operational flexibility, low emissions and low operation cost.

Services

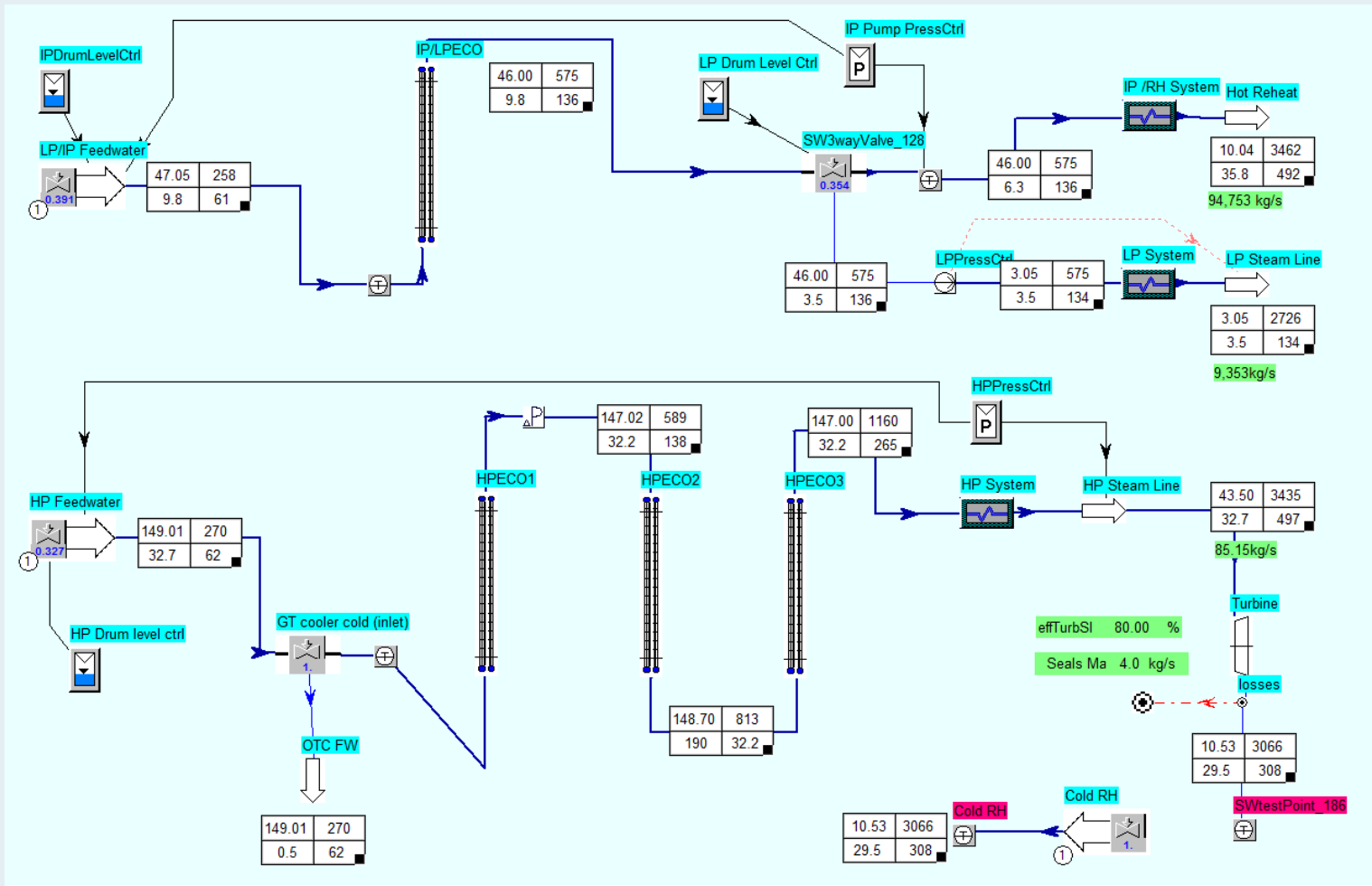
Services provided by ESBI on this project included:

- Operation and Maintenance;
- Technical, economic and environmental feasibility studies
- Conceptual engineering for total project;
- Civil works engineering, procurement and construction management;
- Substation engineering procurement and construction;
- Site management services include erection supervision and commissioning;
- Quality assurance; and
- Project health and safety management.

Technology

1 x Alstom type GT26 (265MW) x 1 Alstom ST (151.7MW) x HRSG.

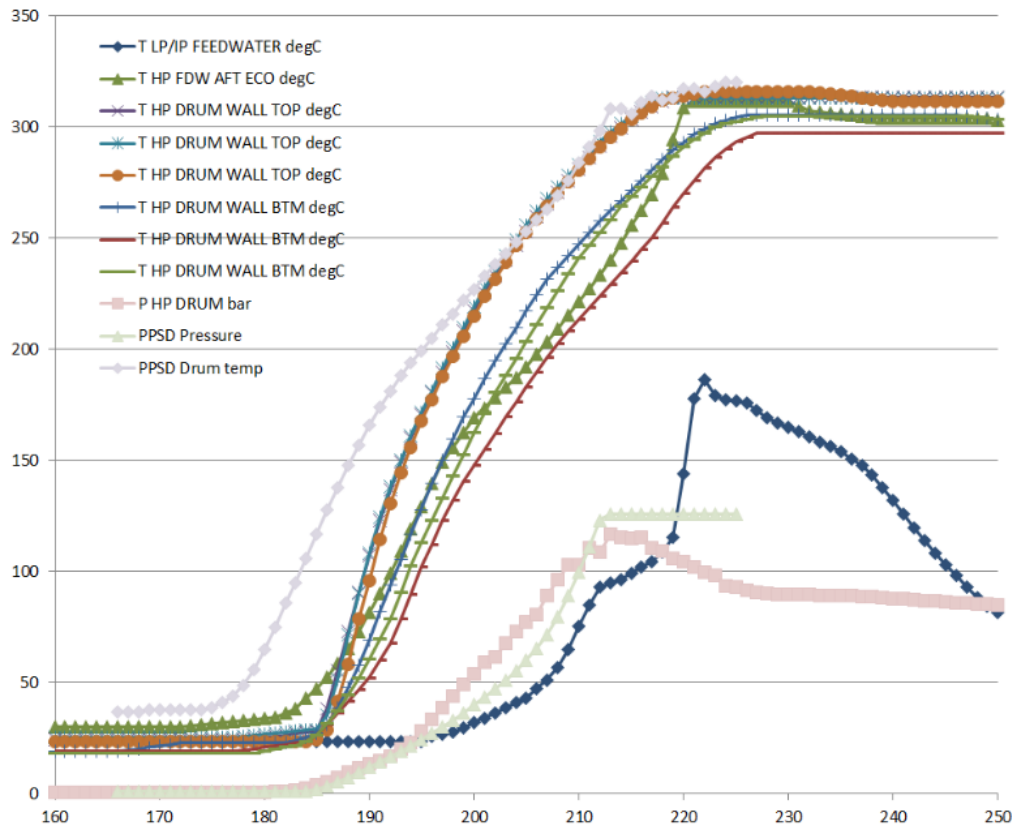
Modelling of HRSGs Cracks in Drum



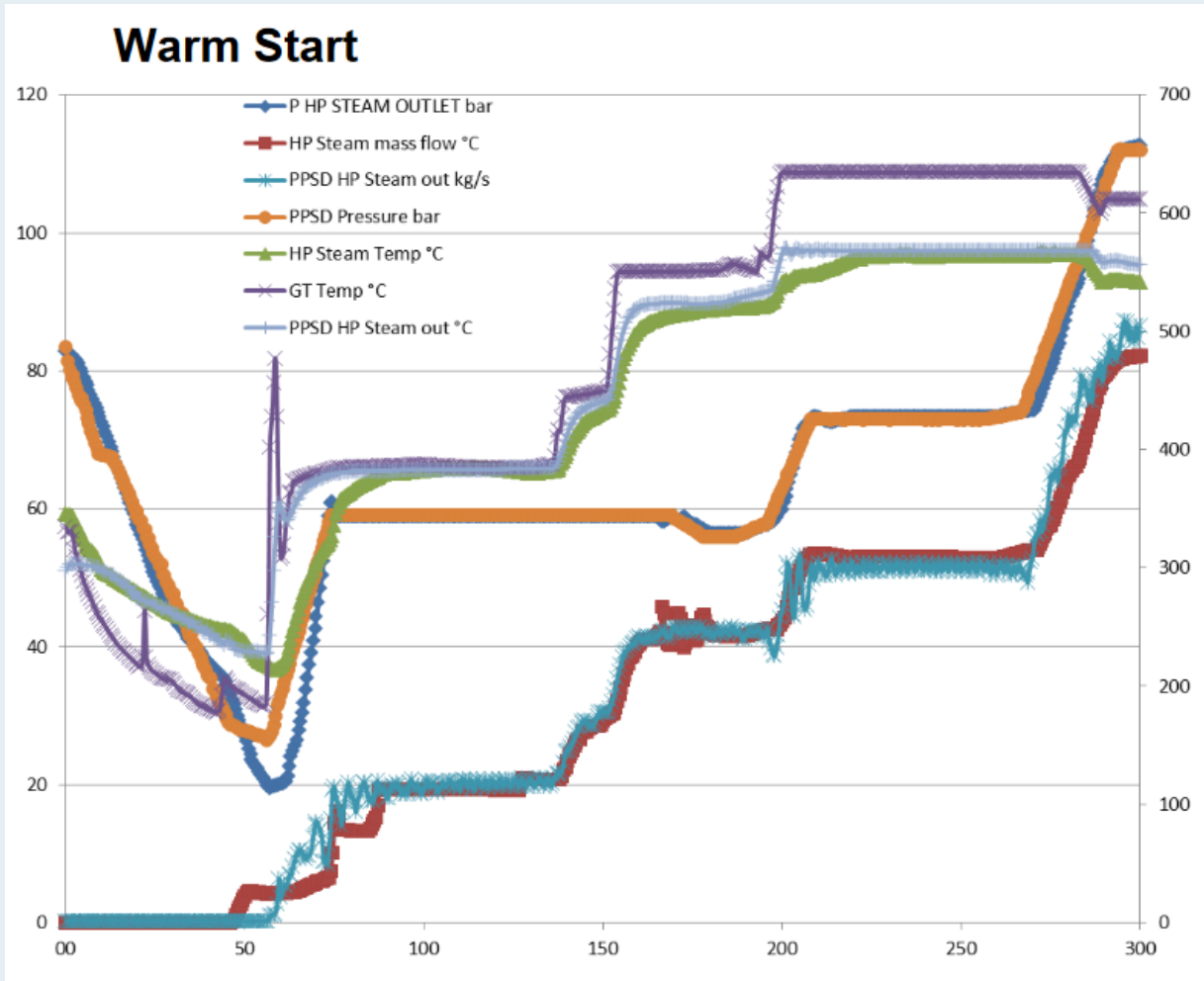
Modelling of HRSGs Cracks in Drum

Comparing PPSD- and real test data

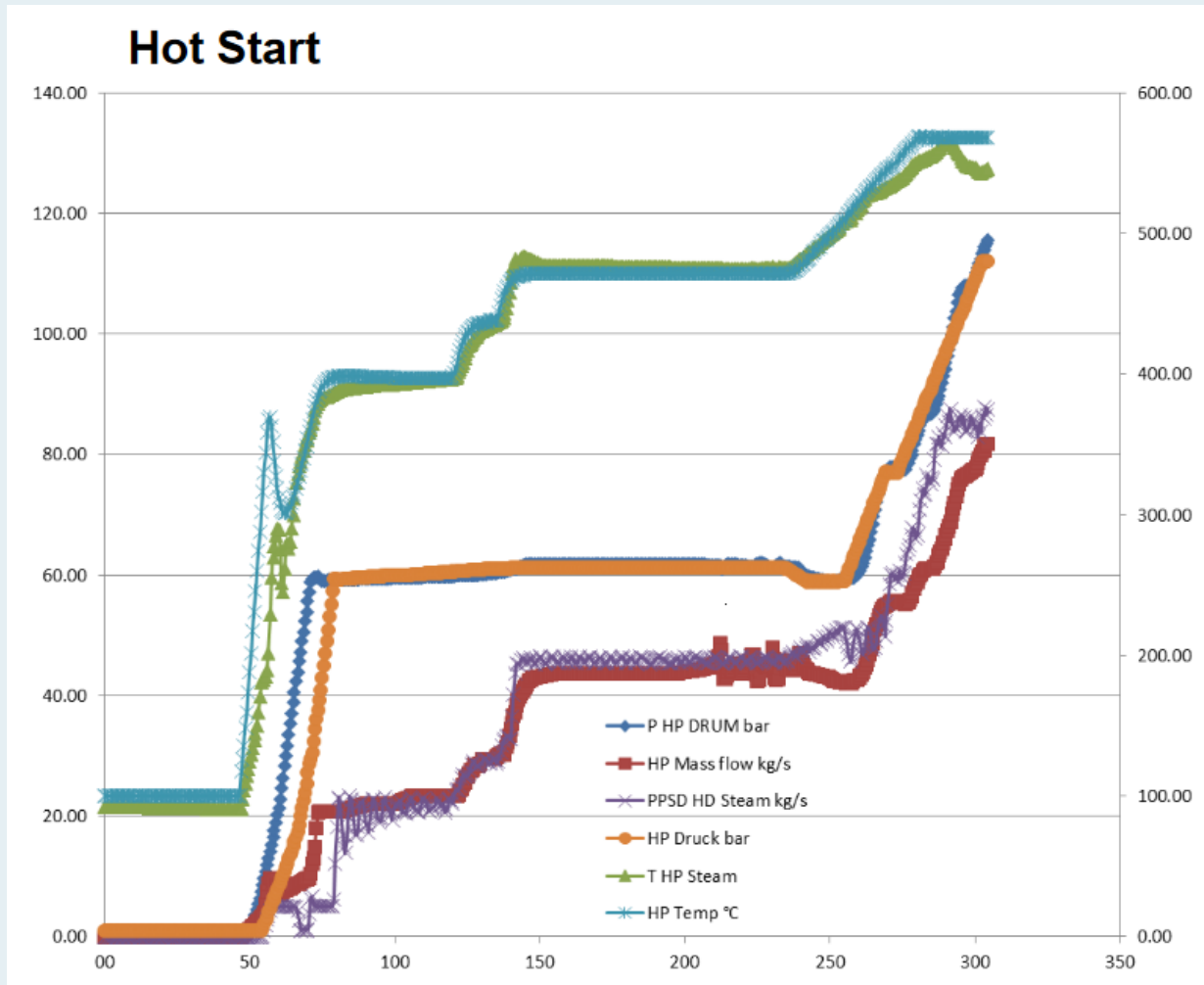
Cold Start



Modelling of HRSGs Cracks in Drum

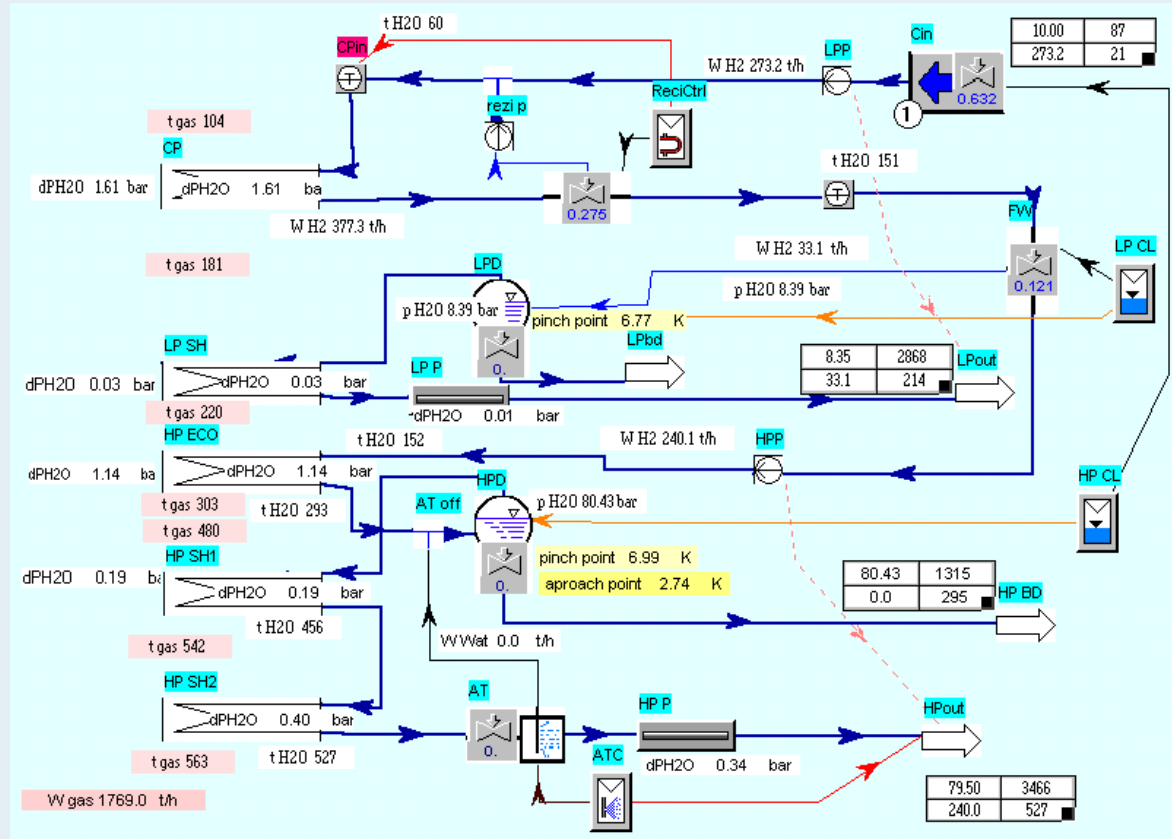


Modelling of HRSGs Cracks in Drum



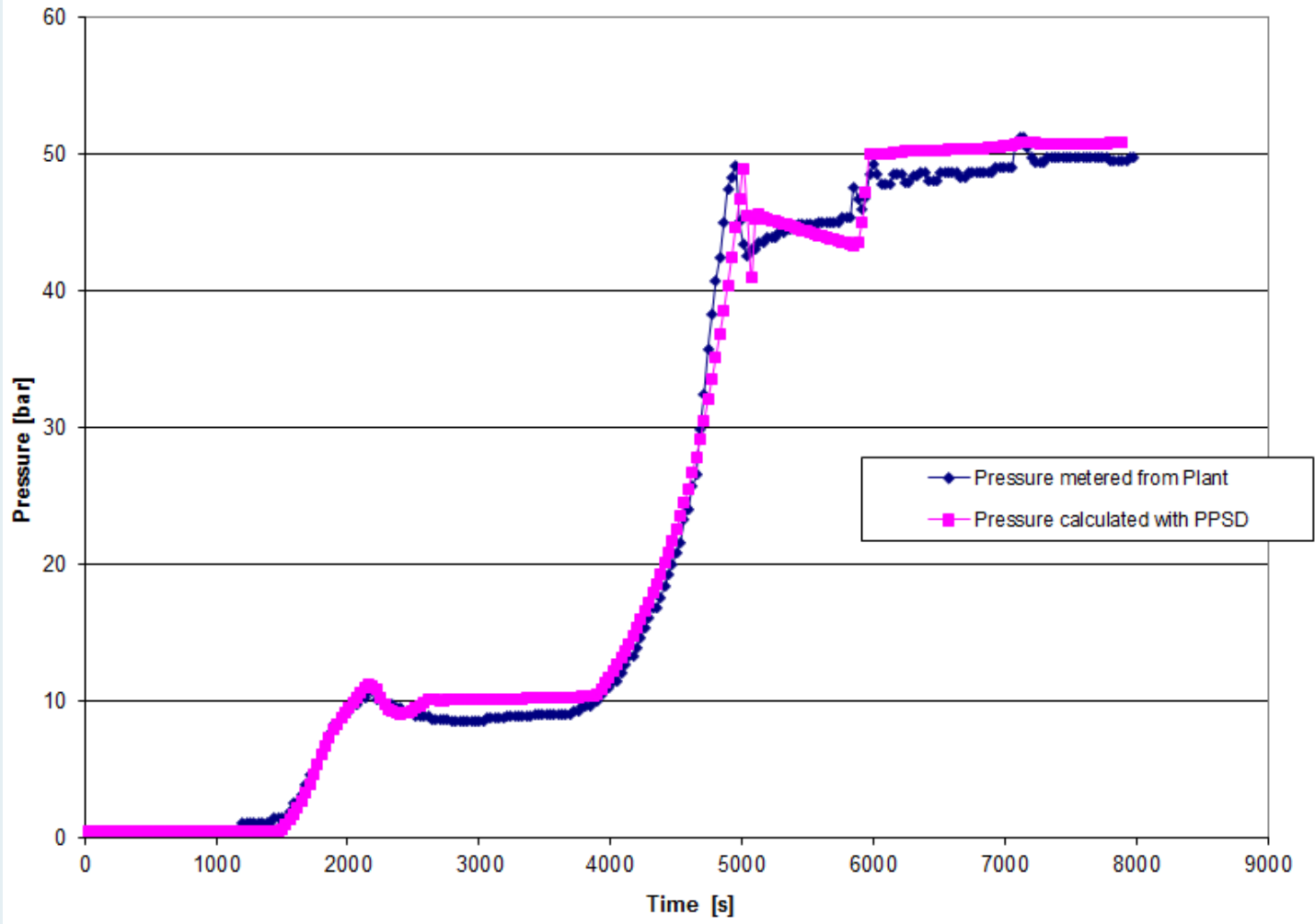
Modelling of HRSGs Cracks in Drum

Poolbeg



Modelling of HRSGs Cracks in Drum

Poolbeg



Modelling of HRSGs Cracks in Drum

